

X Series IR Camera

Equipped with an enhanced ICR filter that provides for a clear image during night viewing.

Features

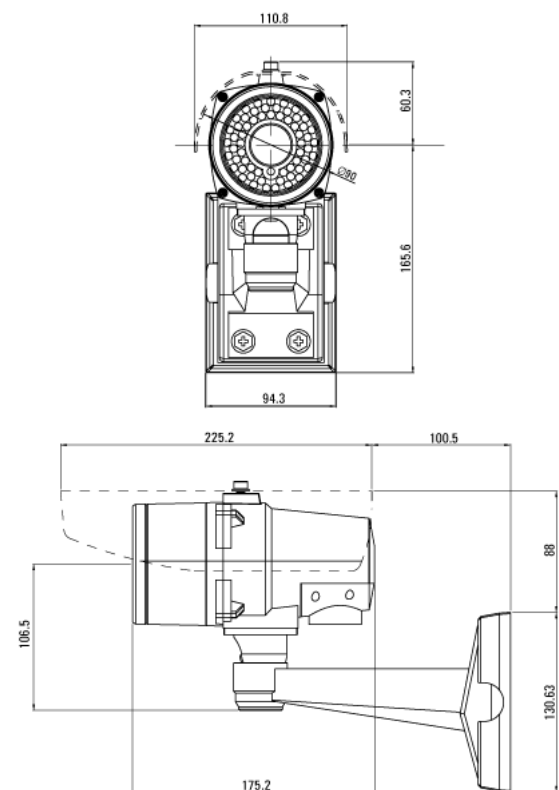
- 1/3" SONY Super HAD CCD
- 550 TV Lines Resolution
- IP65 Rating
- Infrared Low Lux Camera
- 7.5 ~ 50 mm Vari-Focal Auto-Iris Lens
- True Day & Night (Next Generation ICR)



Specifications

Model	IPC-BC550XIR
Scanning System	2: Interlace
Scanning Frequency (H)	15.734 KHz
Scanning Frequency (V)	59.94 Hz
Image Sensor	1/3" Sony Super HAD CCD
Total Pixels	811(H) x 508(V) 410K
Total Effective Pixels	768(H) x 494(V) 380K
Horizontal Resolution	550 TV Lines
Video Output	1.0V p-p, 75 Ohms
S/N Ratio	More Than 50dB
Lens	7.5-50mm DC Iris Vari-Focal
Digital Zoom Ratio	2x (On/Off)
Min Illumination	Day (0.3Lux), Night (0.00Lux, IR LED On)
IR LED & Sensor	Hybrid IR LED 9ea, 1 Sensor
IR LED Visible Range	Max 60m
Day & Night	ICR Sensor Type
DSS	On/Off
White Balance	Auto
AGC, BLC, Flickerless	On/Off
IP Rating	IP65
Supplied Voltage	AC24V or DC12V Dual Voltage
Dimensions	110.8 x 218.6 x 325.7 mm

Dimensions



ClearVision, the ClearVision Logo and X Series are registered trademarks of ClearVision, Inc.
 Sony is a registered trademark of Sony Corporation
 Product specifications and availability are subject to change without notice.
 ©Copyright 2008, ClearVision, Inc. All rights reserved.