

IR Dome Camera

Features

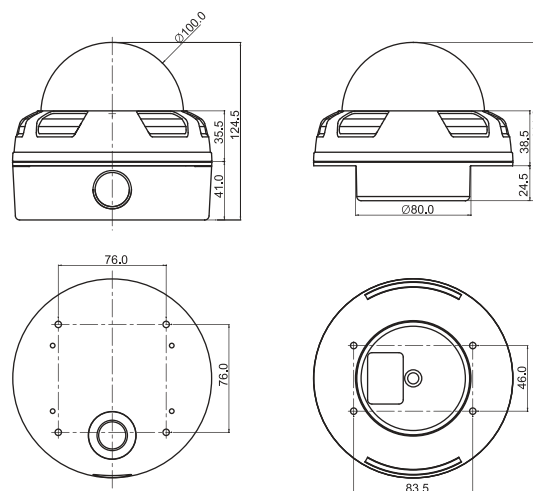
- 1/3" SONY Super HAD CCD
- 550 TVL Resolution
- 3.8mm Lens
- 0 Lux Minimum Illumination
- 12VDC Operation



Specifications

Model	CV-DC600IRVP
Signal System	NTSC
Scanning System	2:1 Interlace
Scanning Frequency(H)	15.734kHz
Scanning Frequency(V)	59.94Hz
Image Sensor	1/3" SONY Super HAD CCD
Sync. System	Internal
Total Pixels Number	811(H) x 508(V) 410K
Effective Pixels Number	768(H) x 494(V) 380K
Horizontal Resolution	550 TV lines
Video Output Level	1.0Vp-p (75Ω, composite)
Lens	Fixed Lens (6mm)
Min. Illumination	0 Lux (IR LED on)
White Balance	Auto
AGC	Auto
DIP SW	AGC On/Off, BLC On/Off, Flickerless On/Off
Focus Mode	Manual
IR LED & Sensor	Built in 35EA IR LED (850nm, 30°) & 1EA Sensor
IR LED Lighting Distance	Max. 25m
Electronic Shutter Speed	1/60
Power Voltage	12VDC
Power Consumption	700mA (Max. 9W)
Dimensions	124 x 96
Weight (Net)	Approx. 848g

Dimensions



ClearVision and the ClearVision Logo are registered trademarks of ClearVision, Inc.
 Sony is a registered trademark of Sony Corporation
 Product specifications and availability are subject to change without notice.
 ©Copyright 2008, ClearVision, Inc. All rights reserved.