

Medium Resolution Dome Camera

Features

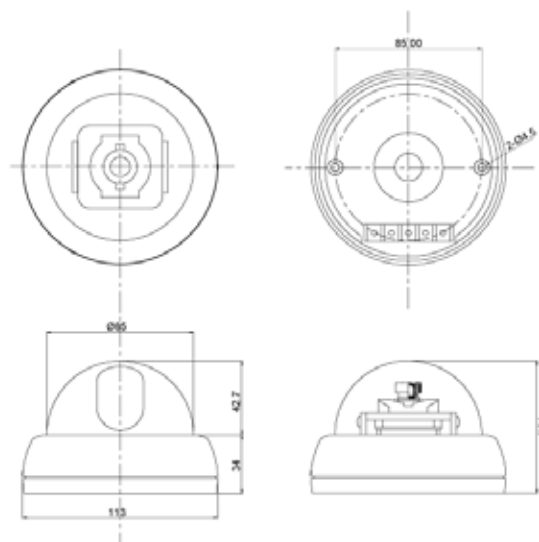
- 1/3" SONY HAD CCD
- 380 TVL Resolution
- 3.8mm Fixed Lens
- 12 VDC
- Low Power Consumption



Specifications

Model	CV-DC380
Signal System	NTSC
Scanning System	2:1 interlace
Scanning Frequency(H)	15.734kHz
Scanning Frequency(V)	59.94Hz
Image Sensor	1/3" SONY Super HAD CCD
Sync. System	Internal
Total Pixels Number	537(H) x 505(V) 270K
Effective Pixels Number	510(H) x 492(V) 250K
Horizontal Resolution	380 TV lines
Video Output Level	1.0Vp-p (75Ω, composite)
S/N Ratio	More than 48dB (AGC Off)
Lens	Fixed lens(f=3.8mm F2.0)
Min. Illumination	0.1Lux
White Balance	Auto
AGC	On/Off
BLC	On/Off
Electronic Shutter Speed	1/60~1/10,000sec
Power Voltage	12VDC (9V~15V)
Power Consumption	Max. 1.8W/150mA
Dimensions	113(Ø)x74(H)
Weight (Net)	Approx. 210g

Dimensions



ClearVision, the ClearVision Logo and Light Max are registered trademarks of ClearVision, Inc.
 Sony is a registered trademark of Sony Corporation
 Product specifications and availability are subject to change without notice.
 ©Copyright 2008, ClearVision, Inc. All rights reserved.