

## Hi Res Wide Dynamic Range Camera

Super High Resolution WDR Day/Night Camera

### Features

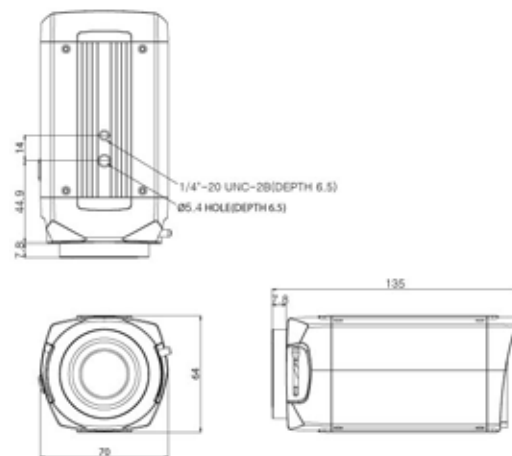
- 1/3" SONY Super HAD CCD
- 580 TVL Resolution
- Wide Dynamic Range (WDR)
- 12VDC Power



### Specifications

Model	CV-C580WD
Signal System	NTSC
Scanning System	2:1 Interlace
Scanning Frequency(H)	15.734 KHz
Scanning Frequency(V)	59.94 Hz
Image Sensor	1/3" Sony Vertical Double-density Interline CCD
Sync. System	Internal
Total Pixels Number	811(H) x 508(V) 410K
Effective Pixels Number	768(H) x 494(V) 380K
Horizontal Resolution	580 TV Lines
Video Output Level	1.0 Vp-p (75Ω, Composite)
S/N Ratio	More than 50dB (AGC off, BW mode)
Digital Zoom Ratio	16x
Lens Mount	C/CS Mount
Min. Illumination	0.0003 Lux(DSS On, B/W)
Day & Night System	ICR(AGC Type)
White Balance	Auto
AGC	Auto
BLC	On/Off
Flickerless	On/Off
Digital Slow Shutter	Off/ 2x~160x Field
OSD Menu	On/Off
WDR (Wide Dynamic Range)	On/Auto(0~15, Max. 60dB)/Off
Privacy Zone	On/Off (4 Programmable)
Motion detection	4 Zone
Electronic Shutter Speed	Auto: 1/60~1/10,000 sec
Power Voltage	12VDC (10V~15V)
Power Consumption	Max. 3.3W / 270mA
Dimensions	70(W) x 64(H) x 135(D) mm
Weight (Net)	Approx. 324g

### Dimensions



ClearVision and the ClearVision Logo are registered trademarks of ClearVision, Inc.  
 Sony is a registered trademark of Sony Corporation  
 Lens Not Included.  
 Product specifications and availability are subject to change without notice.  
 ©Copyright 2008, ClearVision, Inc. All rights reserved.