

Light Max Long Range IR Day/Night Camera



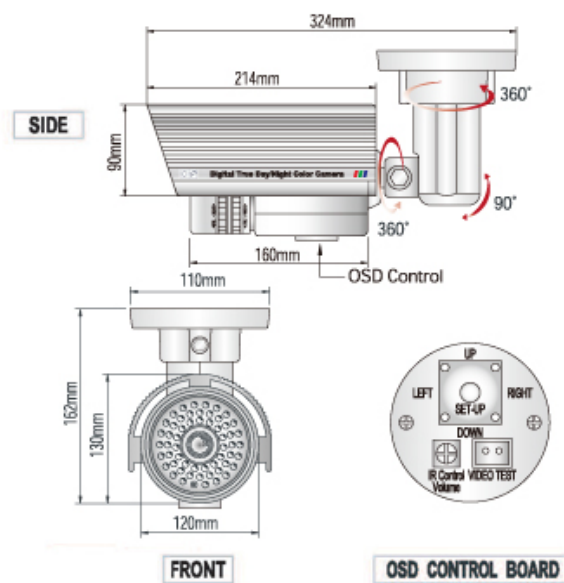
Features

- 1/3" SONY Super HAD CCD
- 560TV Lines
- DC Auto Iris Varifocal
- Lens(5mm-50mm)
- True Day/Night Capability
- ICR-IR Cut Filter Removable

Specifications

Model	CV-BC560VIRLEX
Image Pick-Up Device	1/3" SONY SUPER HAD CCD
TV System	NTSC
Total Pixels	811(H) * 508(V)
Effective Pixels	768(H) * 494(V)
Scanning Frequency	15.734KHz(H) / 59.94Hz(V)
Scanning System	2:1 Interlace
Synchronization	Internal
Resolution	560TV Lines
Minimum Illumination	CDS OFF : 0.1Lux / CDS ON 0.00006Lux
S/N Ratio	More than 50dB
White Balance	ATW / AWBC / MANUAL(1800°K ~ 10,500°K)
Gamma Characteristic	0.45
Video Output	CVBS : 1.0Vp-p 75ohm
Electronic Shutter Speed	(1/60sec~1/120,000sec)
OSD	Built-in
BLC	Low,Middle,High,Off Selectable
AGC	Low,Middle,High,Off Selectable
DNR	Low,Middle,High,Off Selectable
Day&Night(Color)	On/Auto Selectable (Electrical)
Sharpness	On/Off (Level Adjustable)
Privacy	On/Off (4 Programmable Zone)
Power Supply	DC 12V
Power Consumption	CDS ON:1.5A Max
Lens	DC Auto Iris Varifocal Lens(5mm-50mm)
Operational Temp.	-10 ~ +50 Deg C. RH 95% Max.
Storage Temp.	-20 ~ +60 Deg C. RH 95% Max.
Dimension	110mm(W) * 162mm(H) * 324mm(D)
Weight	3500g

Dimensions



ClearVision, the ClearVision Logo and Light Max are registered trademarks of ClearVision, Inc. Sony is a registered trademark of Sony Corporation. Product specifications and availability are subject to change without notice. ©Copyright 2008, ClearVision, Inc. All rights reserved.