

## Light Max Day/Night Camera



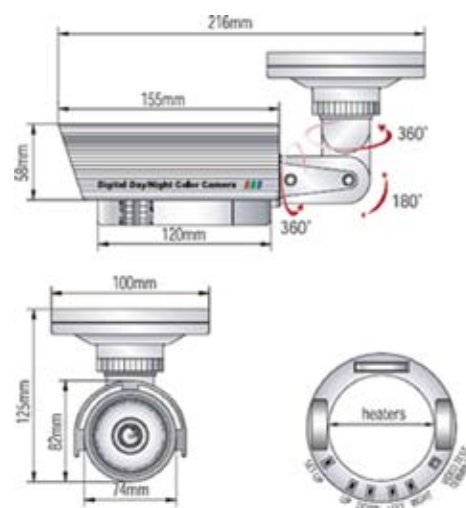
### Features

- 1/3" SONY Super HAD CCD
- 560 TVL Resolution
- Full OSD Control
- 2.8 ~ 12mm Vari-Focal Lens
- 0.002 Lux Minimum Illumination
- External Zoom & Focus Controls

### Specifications

Model	CV-BC560V
Image Pick-Up Device	1/3" SONY Super HAD CCD
TV System	NTSC, PAL
Total Pixels	811 (H) x 508 (V)
Effective Pixels	768 (H) x 494 (V)
Scanning Frequency	15.734 KHz (H) / 59.94Hz (V)
Scanning System	2:1 Interlace
Synchronization	Internal
Resolution	560TV Lines
Minimum Illumination	0.002 Lux (Sens-up *128X)
S/N Ratio	More then 50dB
White Balance	ATW/AWBC/Manual (1800°K ~ 10,500°K)
Gamma Characteristic	0.45
Video Output	CVBS (1.0Vp-p 75 ohm)
Electronic Shutter Speed	Auto/Manual (1/60 ~ 1/120,000 sec)
OSD	Built-In
BLC	Low, Middle, High, Off Selectable
AGC	Low, Middle, High, Off Selectable
DNR	Low, Middle, High, Off Selectable
Day & Night (Color)	On/Auto Selectable (Electrical)
Sharpness	On/Off (Level Adjustable)
Privacy	On/Off (4 Programmable Zones)
Power Supply	DC12V / AC24V Dual Voltage
Power Consumption	120mA Max
Lens	DC Auto Iris Vari-Focal Lens (2.8 ~ 12mm)
Operational Temp	-10 ~ 50 Deg C
Storage Temp	-20 ~ 60 Deg C
Dimensions	100mm (W) x 125mm (H) x 216mm (D)
Weight	1400g

### Dimensions



ClearVision, the ClearVision Logo and Light Max are registered trademarks of ClearVision, Inc.  
 Sony is a registered trademark of Sony Corporation  
 Product specifications and availability are subject to change without notice.  
 ©Copyright 2008, ClearVision, Inc. All rights reserved.