

## IR Color True Day & Night Camera



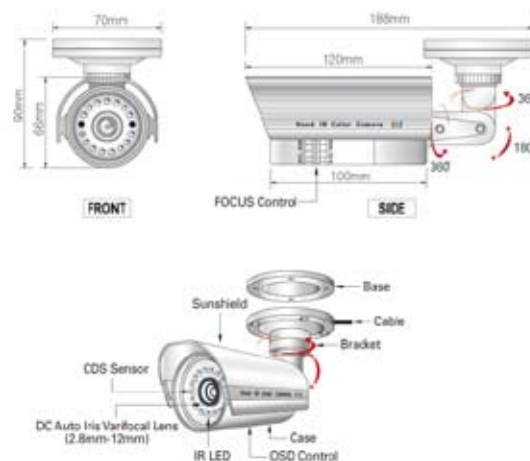
### Features

- 1/3" Sony Super HAD CCD
- Highest Color Resolution of 550 TV Line
- Built-in 12-power infrared LEDs with CDS sensor
- Privacy Masking of Maximum 8 Area
- DC Auto Iris Varifocal Lens(2.8mm-12mm)
- OSD(On Screen Display) Control Function

### Specifications

Model	CV-BC550VIR
Sensor	1/3" SONY SUPER HAD CCD
Total Pixels	811(H) * 508(V)
Effective Pixels	768(H) * 494(V)
Scanning System	2:1 Interlace
Synchronization	Internal / Line Lock
O.S.D	Available
Backlight	BLC / HSBLC / Off Selectable
Resolution	550TV Lines(Color), 600TV Lines(B/W)
S/N Ratio	52dB (AGC Off, Weight On)
Min. Illumination	0.000006Lux (IR LED ON)
White Balance	ATW / AWB / Manual / AWC→SET
Electronic Shutter Speed	Auto(1/60sec ~ 1/120,000sec)
Sense-Up	Off / Auto(Selectable limit *2 ~ *258)
Gain Control	High, Middle, Low, Off Selectable
3 DNR	Off/On (1~50 Level Adjustable)
D-WDR	Indoor / Outdoor / Off
Motion Detection	On/Off (4 Zone, Alarm Output)
Privacy	On/Off (8 Zone)
Mirror	Off / Mirror / V-Rev / Rotate
Freeze	On/Off
Sharpness	0~31'(Level Adjustable)
D&N Selection	Color / BW / Auto
Digital Zoom	On(*32) / Off
Blemish Compensation	256 Point (Even 128 Point, ODD 128 Point)
Power	DC 12V
Power Consumption	CDS ON:300mA Max
Lens	DC Auto Iris Varifocal Lens(2.8mm~12mm)
Operating Temp.	-10~+50 Deg C.RH 95% Max.
Storage Temp.	-20~+60 Deg C.RH 95% Max.
Dimension	70mm(W) x 90mm(H) x 188mm(D)
Weight	600g

### Dimensions



ClearVision and the ClearVision Logo are registered trademarks of ClearVision, Inc.  
 Sony is a registered trademark of Sony Corporation  
 Product specifications and availability are subject to change without notice.  
 ©Copyright 2008, ClearVision, Inc. All rights reserved.