

High Resolution Day/Night Dome

Key Features

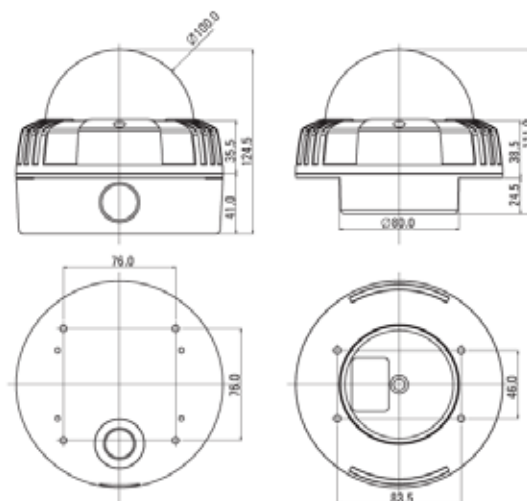
- 1/3" SONY Super HAD CCD
- 600TVL High Resolution
- DC Iris Vari-Focal Lens (f=2.8~10mm)
- 3-Axis Camera Construction
- 12VDC/24VAC Dual Voltage



Specifications

Model	CV-DC600VVD
Signal System	NTSC
Scanning System	2:1 Interlace
Scanning Frequency(H)	15.734 KHz
Scanning Frequency(V)	59.94 Hz
Image Sensor	1/3 inch SONY Super HAD CCD
Sync. System	Internal
Total Pixels Number	811(H) x 508(V) 410K
Effective Pixels Number	768(H) x 494(V) 380K
Horizontal Resolution	600 TV Lines (BW 650TV Lines)
Video Output Level	1.0 Vp-p (75Ω, Composite)
S/N Ratio	More than 50dB (AGC Off)
Lens	DC Iris Vari-focal Lens (f=2.8~10mm)
Min. Illumination	0.1 Lux (Color), 0.01 Lux (B/W)
Day & Night System	ICR(AGC Type)
Digital Noise Reduction (SDNR)	Low, Middle, High, Off
White Balance	ATW, Manual, Push
AGC	On/Off
SBLC	Off, Low, Middle, High
Flickerless	On/Off
OSD Menu	English
Mirror Function	Horizontal
Privacy Zone	On/Off (4 Programmable Zone)
Motion detection	On/Off (4 Programmable Zone)
Electronic Shutter Speed	1/60~1/120,00
Power Voltage	12VDC/24VAC
Power Consumption	Max. 2.2W/180mA
Dimensions	100 x 124.5 mm
Weight (Net)	Approx.. 1210g

Dimensions



ClearVision, the ClearVision Logo and Light Max are registered trademarks of Clearvision, Inc.
 Sony is a registered tradark of Sony Corporation
 Product specifications and availability are subject to change without notice.
 © Copyright 2008, Clearvision, Inc. All rights reserved.